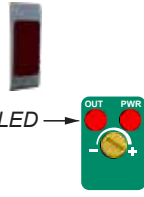
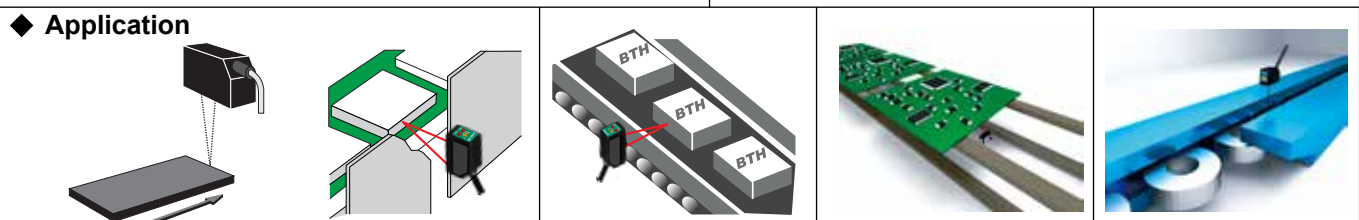
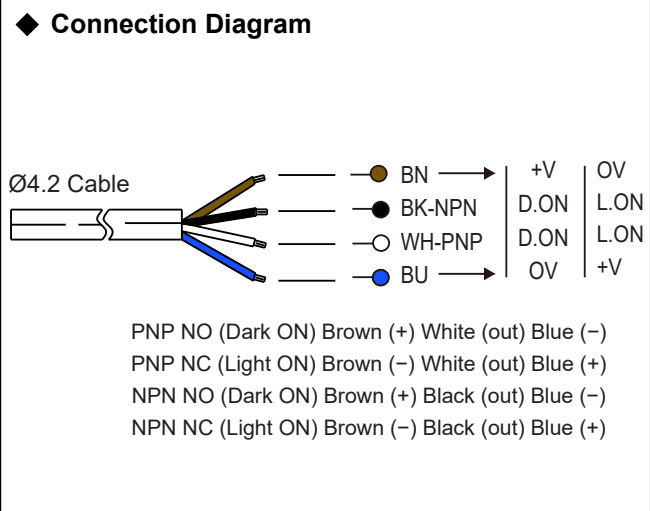
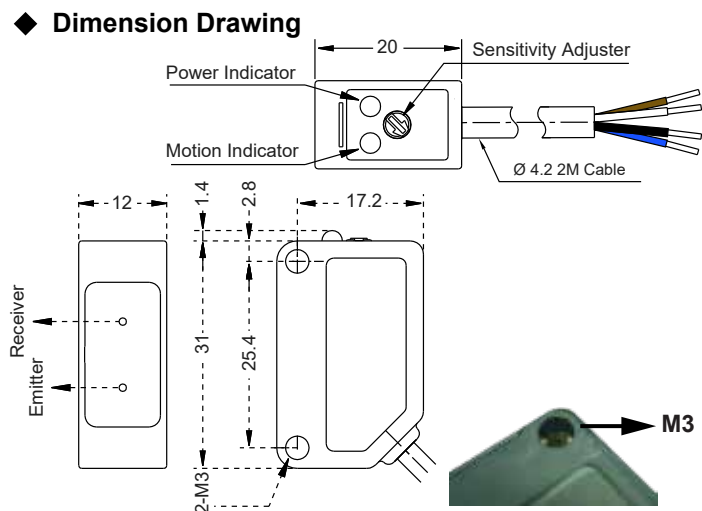


- Special Non-spherical Optical Lens
- Visible dual LED makes easy to know the Current Operation Situation
- Sensitivity Adjuster
- Light on / Dark on Selectable through Wire
- Selectable NPN / PNP



Model	BY-KT300F *
Sensing Type	Diffuse Reflection
Sensing Distance	300mm (white paper 300x300mm)
Emitting Light	Infrared LED 850nm
Operating Voltage	12~ 24VDC
Current Consumption	25 mA Max.
Load Current	100mA Max. at DC24V
Output Type	PNP(NO) Dark on / PNP(NC) Light on / NPN(NO) Dark on / NPN(NC) Light on
Response Time	ON: 1 ms / OFF: 1 ms
Ambient Light Source	50,000 lux
Insulation Resistance	20MΩ min. (DC500V)
Voltage with Stand Ability	AC1000V 60Hz for 60 Sec.
Operating Temperature	-20°C ~ + 60°C
Ambient Humidity	35% ~ 85% RH
Protection Degree	IP64
Material	ABS
Wiring Method	Pre-wired Ø4.2 x 2 M / 4-wires
Weight	Approx. 60g



* Model BY-KT300F will replace BY-PT300F and BY-NT300F