



Features:

- » AC input selectable by switch
- » High efficiency, high reliability
- » 100% full load and machine test
- » Air cooling
- » Working frequency 37 KHz
- » Size: 199 x 110 x 50mm



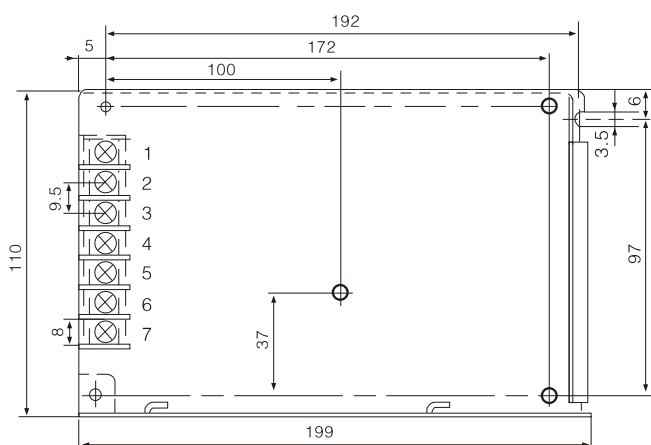
Model & Specification	PKD-210A	
	CH1	CH2
DC output Voltage, Current	5V 0~6A	12V 0~15A
Wave and Noise	60mVp-p	120mVp-p
Inlet wire Stability	± 0.5%	± 1%
Load Stability	± 0.5%	± 6%
Efficiency	78%	
Adjustable Range for DC Voltage	± 10%	± 5%
Input Voltage Range	90~132VAC / 180~264VAC by switch 254~370VDC 47~63Hz	
Impact Current	Cold start current 30A/115VAC 60A/230VAC	
Setup, Rise, Hold up Time	200ms, 50ms, 20ms/230VAC at full load	
Withstand Voltage	I/P-O/P: 1.5kV I/P-FG: 1.5kV O/P-FG 0.5kV 1minute	
Isolation Resistance	I/P-O/P I/P-FG O/P-FG: 500VDC/100MΩ	
Working Temperature	- 10°C ~ +50°C	
Dimension and Weight	199 x 110 x 50mm	0.9kg

Note :

1. All parameters NOT specially mentioned are measured at 230VAC input, rated load and 25°C of ambient temperature
2. Tolerance: includes set up tolerance, line regulation and load regulation.

Dimension Drawing

Connection Diagram



Terminal number	Terminal name	Terminal number	Terminal name
1	AC (L)	6	COM1
2	AC (N)	7	V1
3	⊕	8	ADJ.
4	COM2	9	LED
5	V2		

