



48 x 48mm

Features :

- 4+4 Digits Dual display
- TC / RTD inputs
- ON - OFF / PID control
- Auto tuning / Self tuning
- Single set point
- °C / °F selectable
- Field selectable control output (Relay or SSR)

Display specification

Display	4+4 Digits Dual display Display Height: White Display:- 15.3 mm Green Display:- 8 mm
LED indications	R : Control output ON T : Tune

Input specification

Inputs	Thermocouple (J, K, T, R, S) / RTD (PT100)
Resolution	1° / 1.01°
Indication accuracy	For J, K & T inputs : 0.25% of F.S. ±1°C For R & S inputs : 0.5% of F.S. ±2°C (20 min of warm up time for TC inputs) For RTD inputs : 0.1% of F.S. ±1°C (F.S. = Full scale)
Temperature unit	°C / °F selectable
Input filter (FTC)	0.2 to 10.0sec
Sampling time	250ms

Output specification

Relay contact (SPDT)	10A @ 230V AC / 30V DC, Resistive
SSR drive (Voltage pulse)	12V DC, 30mA

Functional specification

Control action	1) PID control with Auto or self tuning 2) ON - OFF control
Proportional band (P)	1 to 400°C, 1.0 to 752.0 °F
Integral time (I)	0.0 to 99.9 min
Derivative time (D)	0 to 999 sec
Cycle time	0.1 to 99.9 sec
Hysteresis width	0.1 to 99.9°C
Manual reset value	-19.9 to 19.9°C / °F

Auxiliary supply specification

Supply voltage	90 to 270V AC / DC (50 / 60Hz)
Power consumption	6 VA max @ 230V AC

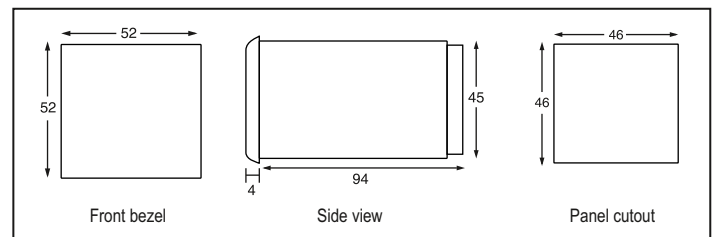
Environmental specification

Temperature	Operating : 0 to 50°C (32 to 122°F) Storage : 20 to 75°C (-4 to 167°F)
Humidity (non - condensing)	95% RH

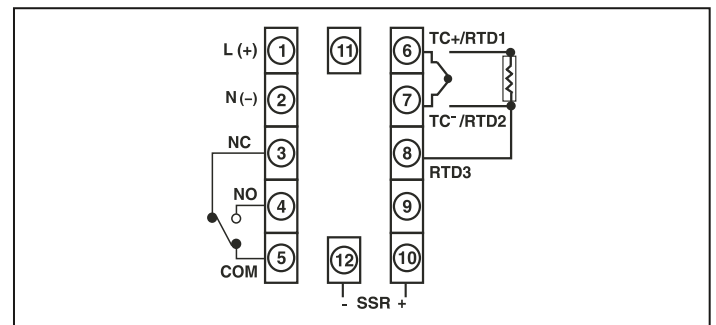
Mechanical specification

Mounting	Panel
Weight	113 gms

Dimensions (All are in mm)



Terminal connections



Ordering information

Product code	Output 1	Supply voltage	Certification
TC538CX	RELAY SSR	90 - 270V AC / DC	---

Accessories (Optional)

Standard SELEC accessories that can be used with this product.

Adapter plate

- 1) AP7248 : Plastic adapter plate, used to mount 1/16 DIN (cutout size 48 x 48) Instrument into existing (72 x 72) cutout size.
- 2) AP9648 : Plastic adapter plate, used to mount 1/16 DIN (cutout size 48 x 48) Instrument into existing (96 x 96) cutout size.
- 3) AP4896-4848-G-C : Plastic adapter plate, used to mount 1/16 DIN (cutout size 48 x 48) Instrument into existing (48 x 96) cutout size.

Mounting accessories (Supplied with units)

For 48 x 48 Collar clamp	ACL4802
--------------------------	---------

Input sensor ranges

Sensor type	Resolution	Ranges	
		1	0.1
PT100	°C	-150 to 850	-150 to 850
	°F	-238 to 1562	-199 to 999
J	°C	-199 to 750	-199 to 750
	°F	-328 to 1382	-199 to 999
K	°C	-199 to 1350	-199 to 999
	°F	-328 to 2462	-199 to 999
T	°C	-199 to 400	-199 to 400
	°F	-328 to 750	-199 to 750
R & S	°C	0 to 1750	N/A
	°F	32 to 3182	N/A