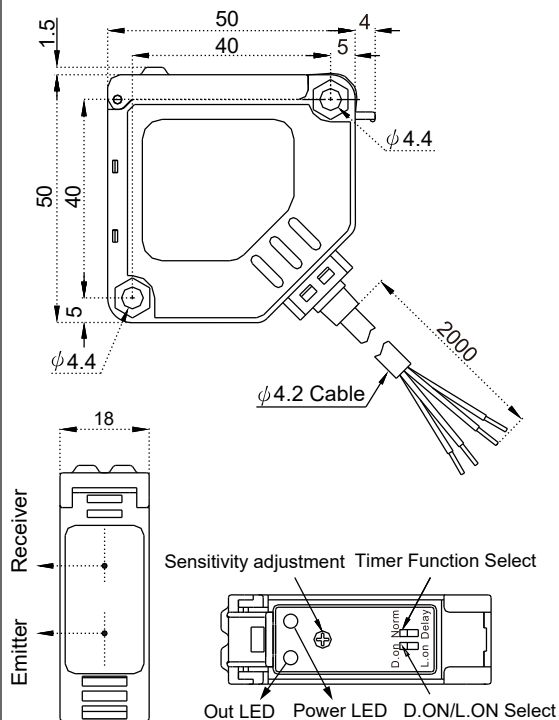


- Special design of protective hood for dust-proof
- Non-spherical optical lens
- Visible dual LED Indicator
- Selectable PNP/NPN Output
- Selectable Light ON/Dark ON mode
- Sensitivity Adjuster

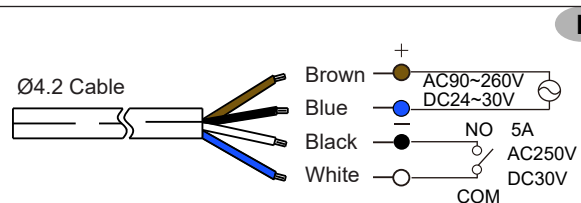
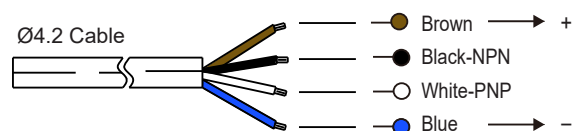


Model	BED-W1MF	BED-R1MF
Sensing type	Diffuse Reflection	
Sensing distance	1000mm (300 x 300)	
Emitting light	Infrared LED 940 nm	
Operating Voltage	12~24VDC	90~260VAC / 24 ~ 30VDC
Current Consumption	30 mA Max.	25 mA Max.
Load current	100 mA	Relay : DC30V 5A / AC 250V 5A
Output type (selectable)	PNP(NO) Dark on / PNP(NC) Light on NPN(NO) Dark on / NPN(NC) Light on	Relay Out Com/NO
Response time	1.5 ms Max.	
Time delay function	0.2 Sec time delay function selectable	
Insulation resistance	20MΩ min. (DC500V)	
Voltage with standability	AC1000V 60Hz for 60 Sec.	
Operating temperature	-20°C ~ + 60°C	
Ambient humidity	35% ~ 85% RH	
Protection degree	IP65	
Material	ABS	
Wiring method	Pre-wired Ø4.2 x 2 M / 4-wires	
Weight	Approx. 45g	Approx. 85g

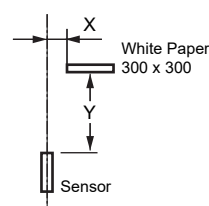
◆ Dimension Drawing



◆ Connection Diagram



◆ Characteristic curves



Standard sensing target:
Non-glossy white paper

